

RS100S-8

4" Reference Shielded Full-Range Driver 8 Ohm

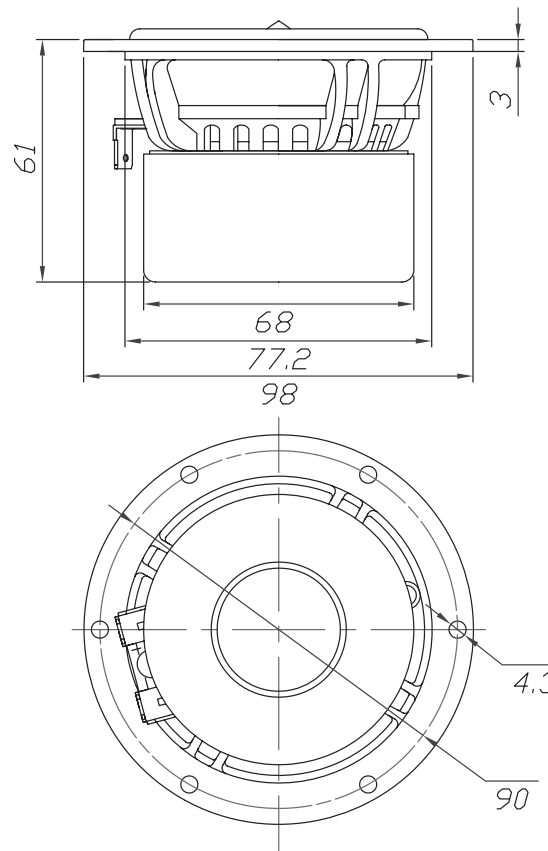


Features

- Lightweight black anodized aluminum cone
- Attractive 6-hole cast frame
- Advanced low distortion motor design
- Fully shielded magnetic structure
- Solid aluminum phase plug
- Rubber surround
- Full-range capability

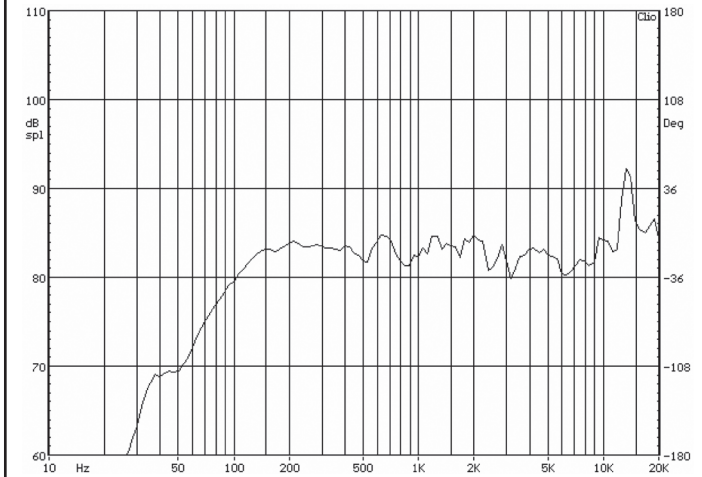
Parameters

Impedance (Ω)	8
Re (Ω)	6.3
Le (mH) @ 1 kHz	0.41
Fs (Hz)	85.0
Qms	3.48
Qes	1.16
Qts	0.87
Mms (g)	3.9
Cms (mm/N)	0.98
Sd (cm ²)	37.4
Vd (liters)	13.1
BL (Tm)	3.40
VAS (liters)	1.7
XMAX (mm)	3.5
VC Diameter (mm)	26
SPL (dB@1W/1m)	83.3
RMS Power Handling (w)	30
Usable Frequency Range (Hz)	85 - 20000



Note: All dimensions in mm.

Frequency Response



Note: Due to testing limitations, response below 200 Hz is not an actual representation.

Impedance/Phase

